

GET A FLYING START WITH HOLZ-HER THE INTELLIGENT SOLUTION FOR A SECURE FUTURE



The EPICON 5-Axis CNC

Unlimited possibilities for 5-axis machining

[More on page 2](#)

Vertical CNC Machining

The simplest way to fully automate wooden dowel insertion

[More on page 3](#)

Cutting Competency

High-performance panel cutting technology

[More on pages 6 and 7](#)

For a Secure Future

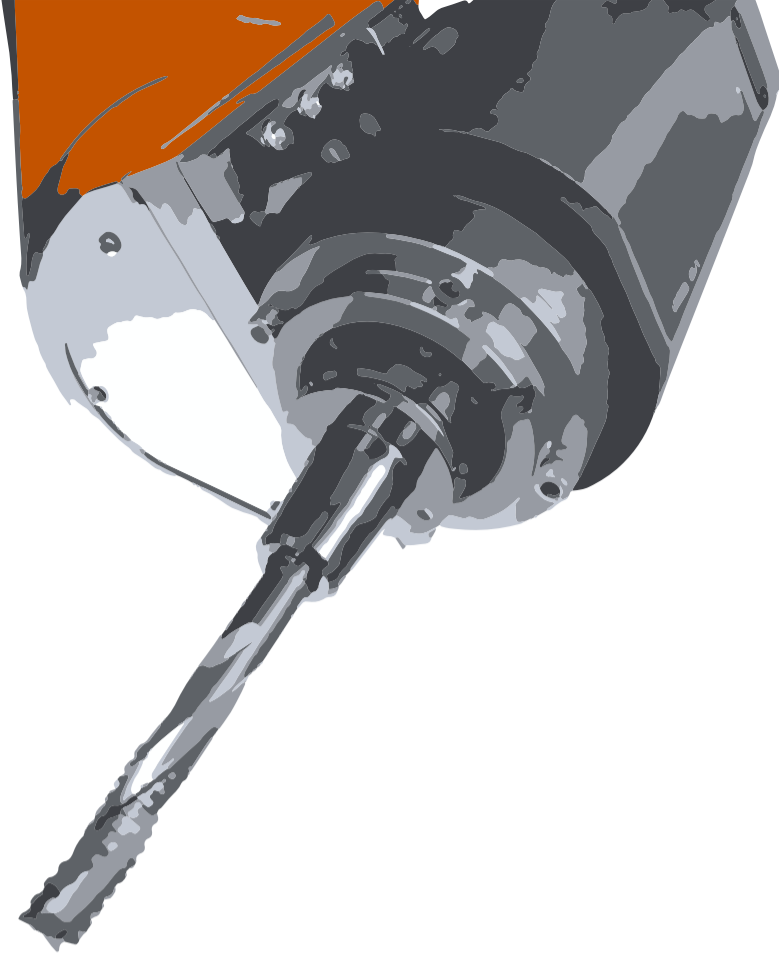
HOLZ-HER for your "Smart Shop"

[More on pages 8 and 9](#)

EPICON CNC MACHINING CENTERS

POWERFUL 5-AXIS DYNAMICS FOR OPTIMUM RESULTS

With the introduction of the smaller EPICON 7135 and the extra large EPICON 7335 the exceptionally successful EPICON 7235 machining center has been expanded to a complete 5-axis CNC range with console tables. The entire EPICON series offers an enormous machining height of 300 mm which is ideal for five-axis machining, opening up completely new dimensions for craft shops and industrial production for machining wood and synthetic materials. The heart is the compact, gimbal-mounted 5-axis head allowing completely free spatial motion. State-of-the-art drives and control technology ensure use for nearly unlimited applications.



HIGHLY FLEXIBLE TABLE CONCEPTS OPTIMUM HOLDING POWER FOR YOUR WORKPIECES



Standard Table

The EPICON offers a variety of secure and practical suction cups and variable frame clamps to hold your workpieces optimally.



VISE LED Table

The ingenious solution for quickly setting up the console table, thanks to HOLZ-HER Visual SETting.



Synchro-Drive Table

Optimum simplicity. Synchronous, movable suction cups and consoles position themselves to fit any workpiece under software control.



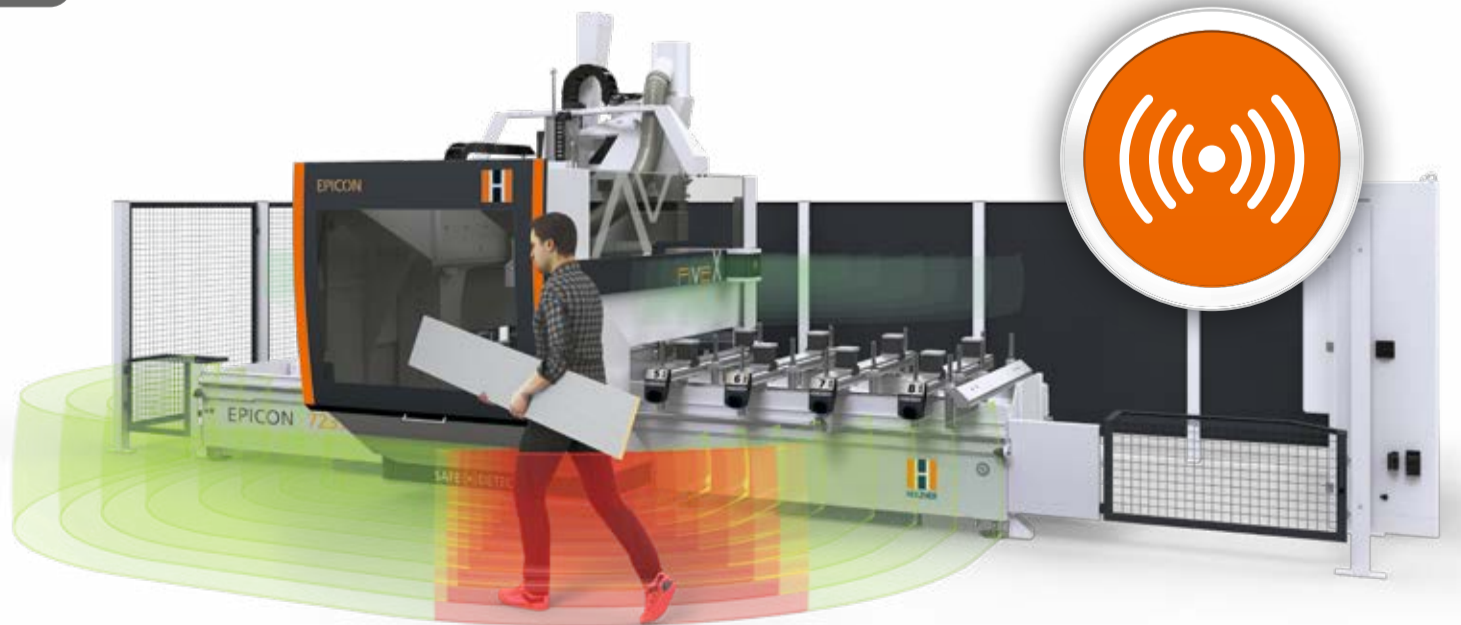
A CLEAN MACHINE – CHIP CONVEYOR IN MACHINE FRAME

Cutting produces chips! That is why we offer an optional chip conveyor integrated into the machine base to save space and ensure that even large quantities of chips are reliably conveyed to the vacuum extractor.



SAFE DETECT UNIQUE SAFETY

The space above the machine table as well as the area in front of the machine is monitored for perfect all-round protection. State-of-the-art sensor technology offers safety and freedom of motion for the operator thanks to automatic human detection with distance control. In addition a state-of-the-art guard fence prevents access to the machining center's operating area at the side and rear. Delivering faster processing times than a bumper.





THE EVOLUTION SERIES

COMPLETE CNC MACHINING IN LESS THAN 5 SQUARE METERS OF FLOOR SPACE

The EVOLUTION series offers complete vertical machining in compact format. The machining options for vertical CNC machining are virtually unlimited. Profiling, milling and drilling, engraving or complete processing of counter tops are other possible applications. Even machining doors or fitting various types of connectors are no problem with the EVOLUTION series.

The expansion of the PinJet option is completely new, allowing use of pre-glued dowels. This means the EVOLUTION is perfectly equipped for furniture construction. Regardless whether you use the EVOLUTION 7402 or the power version, the EVOLUTION 7405 4mat. There is a CNC machine for every user to satisfy custom requirements.



4mat
Formatting on all 4 workpiece edges and surface machining.



Xcut
Optimum utilisation of cut panel strips for carcass production.



Connection Technology – Free Choice!
Everything with one clamping operation. State-of-the-art connection technology with the EVOLUTION tool packages.



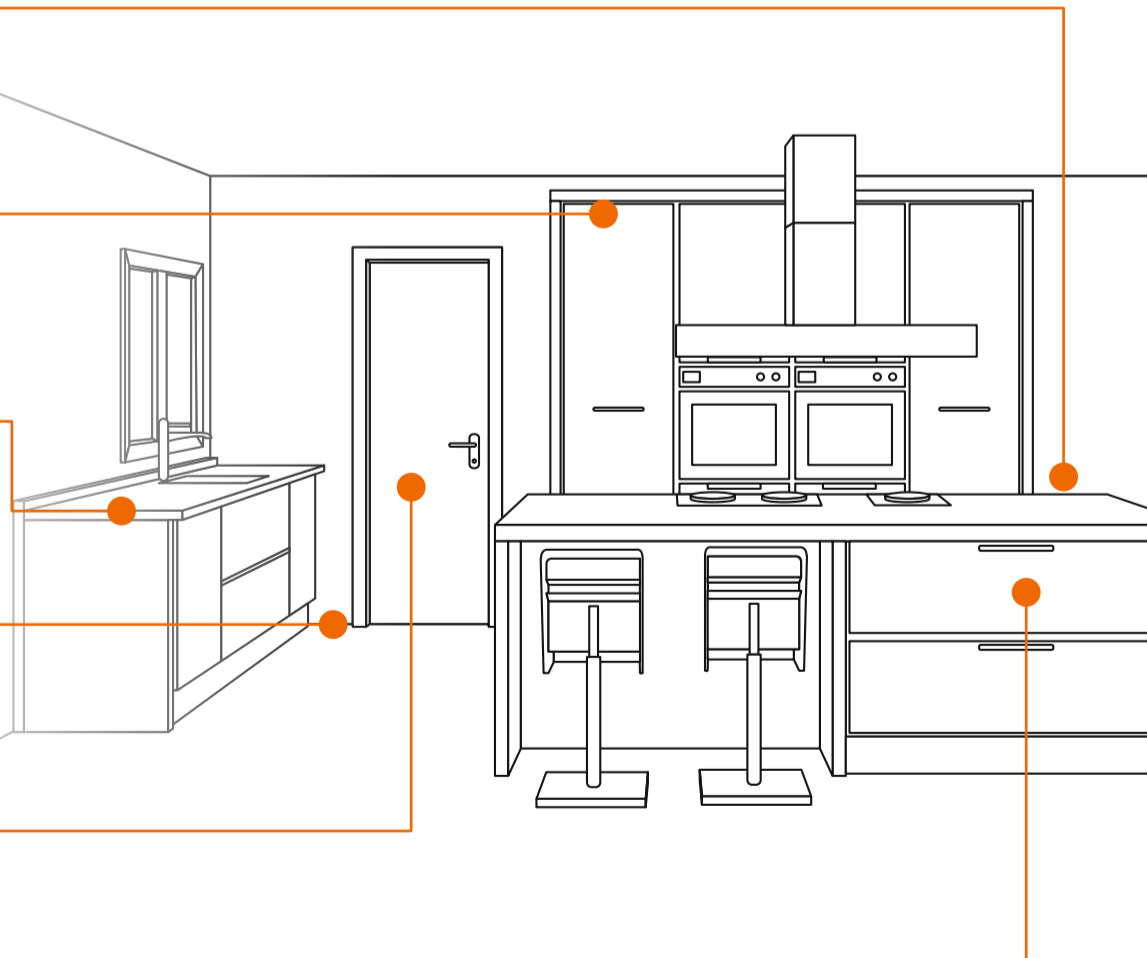
XL Passage
Enlarged passage for workpieces with height of up to 1,200 mm on 7405 4mat or connect.



Doors Ready
The door package:
Cuts locks and hinges.



PinJet – The Dowel Anchoring System
The simplest way to fully automatically insert 8 mm wooden dowels.



MAXIMUM TIME SAVINGS IN PRODUCTION USING HOLZ-HER NESTING TECHNOLOGY

The DYNESTIC nesting machining centres include three versions in various sizes and degrees of automation, giving HOLZ-HER the right solution for every requirement and every size shop. Nesting machining with the DYNESTIC offers the advantage of precision formatting and CNC machining with one single clamping operation, with minimum handling by the machine operator. Our nesting technology is perfect for use with state-of-the-art connection technologies such as the Clamex P-System or Cabineo connectors. Manual and automatic labeling systems are available for identifying workpieces. The labeling systems offered for workpiece identification ensure maximum convenience and process reliability. HOLZ-HER offers two methods, the Direct Label and Power Label system, for positioning the labels on the panel even before CNC machining.

GREATER FLEXIBILITY WITH THE HOLZ-HER TWINTABLE FOR NESTING MACHINES

In addition to the grid table for nesting machining, the TwinTable version* also offers a smooth table with a machining length of 1,000 millimeters. Dividing up the machine table into a grid table section and a smooth table section gives you two machines in one. This allows the suction cups to be positioned at any angle with complete flexibility.

*Available for the DYNESTIC 15.7



VIDEO

KEEP AN OVERALL VIEW WITH MANUAL AND AUTOMATED LABELING SYSTEMS



VIDEO

Power Label

The Power Label systems provide precise labeling before the panels are automatically positioned onto the machining table ensuring maximum panel through-put and efficiency.



VIDEO

Direct Label

The fully automatic Direct Label system is integrated into the Nesting CNC machine. In this case the labels are applied directly to the panel located on the machine table.



VIDEO

Touch Label

With the Touch Label System the operator sees all the workpieces in a nesting plan on the monitor and can simply tap the desired component on the touch screen to print out the correct label.



Enormous time savings

resulting from complete formatting and CNC machining with only one clamping operation.



Optimum nesting results

Minimum waste and intelligent machining strategies thanks to BetterNest – software.



Solid wood and door machining

Perfect machining processes thanks to flat table suction cups and 5-axis head.





PROFESSIONAL DXF IMPORT

The open interfaces to post-processors gives HOLZ-HER machining centers enormous flexibility including data transfer from leading CAD/CAM programs. And best of all: CAD drawings are generated simply on the virtual machine table – without any intermediate steps whatsoever.

HELMER – THE CARPENTRY SHOP A CARPENTER WITH QUALITY AT THE SHAKE OF A HAND

With over 40 years of experience in furniture construction, professional craftsmanship, quality and individuality are our primary focus. This is why we have relied on our highly automated HOLZ-HER CNC nesting solution since 2021. This ensures that our customers' special requirements for custom-made furniture can be produced with maximum efficiency in the shortest possible time.



4.0

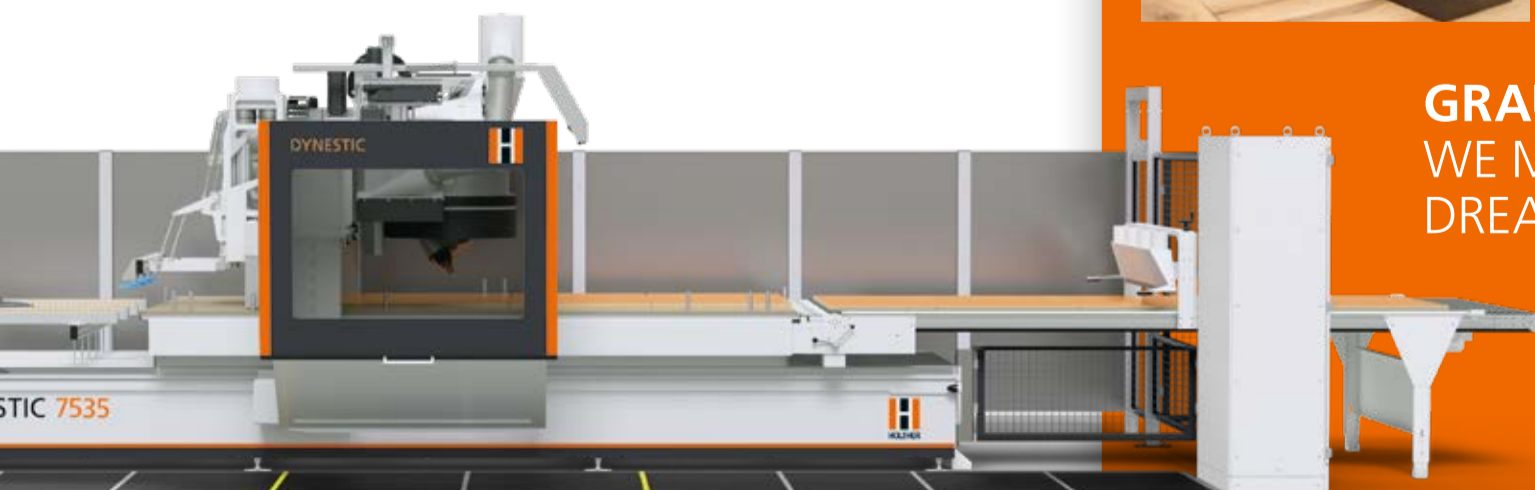
THE NEXTEC 4.0 PACKAGE

The NEXTEC package is the local solution for your transparent production control. With the NEXTEC 4.0 Network PC you can digitally connect your furniture planning in the office with your CNC machine. All CAD-/CAM data compiled in the office with your planning software can be transferred to your machine in the shop using the Warehouse-Production-List. Digitisation made simple: Realize your workshop of the future today.



GRAU CARPENTRY SHOP WE MAKE FURNITURE DREAMS COME TRUE

We require extremely flexible production to meet our customers' unique requirements and products. As a pioneer in the nesting sector, we have been realising our creative planning using HOLZ-HER CNC nesting technology for maximum quality since 2017.



HIGH-PERFORMANCE PANEL CUTTING TECHNOLOGY

HOLZ-HER PRESSURE BEAM SAWS

All HOLZ-HER pressure beam saws are factory-equipped with the most important features for your daily work process. Attractive solutions such as solid, positionally accurate lifting table for high material through-put and lateral loading device as a profitable add-on feature, guarantee high speed production in combination with automated material handling. Fully integrated software packages for machine and office ensure optimum data flow. When required all desired information can be printed on labels for identification of the workpieces. Our viaCockpit app with push notification provides a complete overview for service, diagnostics and much more. HOLZ-HER offers three performance classes with different model versions.

➤ In co-operation with you we configure tailor-made cutting solutions to meet your requirements also in combination with matching, automated material handling. ⚡



SAW BLADE PROTRUSION
68 mm

LINEA 6015

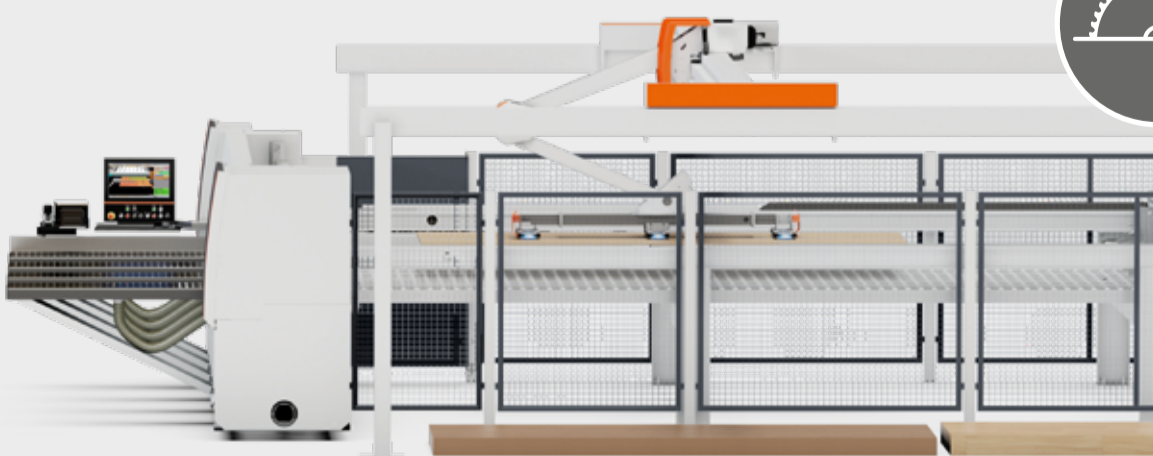
Based on the policy "from craftsmen for craftsmen" the LINEA 6015 sets new standards in the economy class. Whether your requirements are space, speed or gentle handling, the LINEA 6015 is a convincing machine.



SAW BLADE PROTRUSION
82 mm (classic) | 95 mm

TECTRA 6120

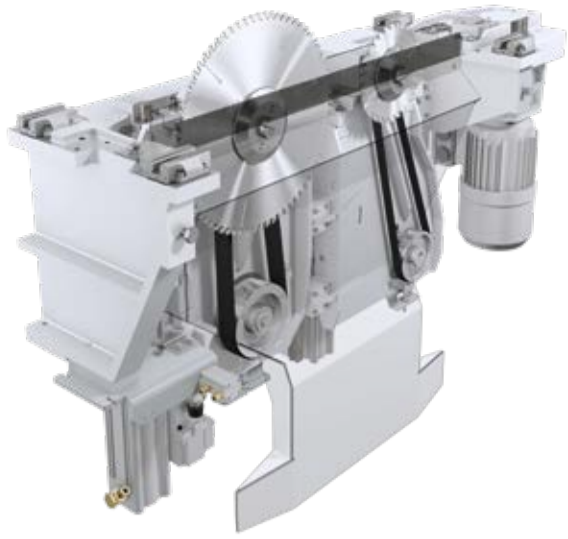
The TECTRA 6120 offers an enormous performance spectrum. The synergistic effects of a horizontal panel saw with intelligent feed technology make it extremely flexible for special one off and small batch production as well as large quantity demand.



SAW BLADE PROTRUSION
115 mm | 130 mm (XL package)

ZENTREX 6215

The ZENTREX 6215 was developed for higher performance shops, frequently reaching an industrial level. Extremely heavy machine design and continuous linear guide technology combined with intelligent cutting guarantee maximum cutting performance for single panels as well as large book heights.



PRE-SCORING SAW CONCEPT

Pre-scoring saws have to meet the highest requirements for power, low vibration and 100 % accuracy. To meet these requirements, HOLZ-HER pre-scoring saws are driven by powerful 2.2 kW motors. The large models allow electronic adjustment on the control panel. A special post-forming attachment is available for materials with post-formed edges.

LINEA **TECTRA** **ZENTREX**

TABLE CONCEPT

All HOLZ-HER saws have 1,800 mm long support tables as standard equipment; these can be upgraded to 2,400 mm depending on the series. The support tables as well as machine tables in front of as well as behind the cutting line are all equipped with air nozzles, allowing the panels to be turned easily and pushed without scratching. The support tables are infinitely adjustable for adaptation to the specific material situation.

LINEA **TECTRA** **ZENTREX**



EXTRACTION MANAGEMENT

The "Dust Control" option ensures optimum extraction. The cutting position recognition device optimally controls all extraction vents in the pressure beam for maximum extraction directly at the saw blade. When making scoring cuts, an intelligent, moving extraction unit behind the saw blade prevents chips and dust from being hurled out unchecked during the cutting process.

TECTRA **ZENTREX**



AUTOMATION

Automation increases productivity and output. Depending on the model, various lifting tables are available, including lifting tables with lateral feed attachments to minimize idle running time. Automatic panel storage systems provide greater flexibility in production particularly in shops using many different decors and panel thicknesses.

TECTRA **ZENTREX**

TRIMMING CONCEPT

It is possible to reduce the clearance between the saw blade and machine table to prevent narrow panel strips and trimming waste from falling unchecked into the saw chamber. This closes the cutting line fully automatically immediately after passing the saw blade.

TECTRA **ZENTREX**

THIN PANEL CONCEPT

Special technologies are used for thin and wavy panels on lifting table machines. The thin panel pusher separates panels or stacks with a thickness > 4 mm. This allows reliable machining of even thin, wavy panels from the lifting table.

ZENTREX

SPATIAL CONCEPT

A double sliding door allows access to the area below the saw as required, ensuring optimum use of the space. This ensures space for six Euro pallets even with the smallest machine dimensions.

LINEA **TECTRA** **ZENTREX**



GRAPHIC AND VISUAL CONTROL SUPPORT

The 21.5" multi-touch monitor guides the operator through the optimized cutting plans. The cutting plans are displayed using 3D realtime simulation or in realtime graphics while cutting. Decorative patterns can be rearranged to match grain directions. A laser-supported display system on the ZENTREX 6215 shows the exact dimensions of the panel. Absolutely avoiding incorrect positioning or turning.

LINEA **TECTRA** **ZENTREX**

WITH HOLZ-HER TO YOUR SMART WORKSHOP!



**FURNITURE
PLANNING MODULE**

WORK FLOW

HOLZ-HER uses a standard interface for simple transfer of the production data from the standard design software to the HOLZ-HER Warehouse database. In addition to finished CNC programs in HOPS format or any other common WOP format, other processing data such as edging information is imported into the database via the CSV list.



 **MATERIAL
HANDLING**

 **CUTTING**



SMALL CRAFT SHOPS

EQUIPMENT:

- ✓ Furniture planning module
- ✓ Vertical panel saw with cutting optimization
- ✓ Edgebander
- ✓ Vertical CNC machining center

OUTPUT PER SHIFT: 160 TO 200 PIECES
(corresponding to one standard kitchen)

ADVANTAGES:

- ✓ Minimum space requirement
- ✓ Low investment costs
- ✓ High degree of flexibility



WORKSHOP OF THE FUTURE

EQUIPMENT:

- ✓ Furniture planning module
- ✓ Nesting machining centers
- ✓ Intelligent edgebanders

OUTPUT PER SHIFT: 200 TO 300 PIECES
(corresponding to two standard kitchens)

ADVANTAGES:

- ✓ Minimum space requirement
- ✓ Low investment costs
- ✓ High degree of flexibility



MEDIUM SIZE WORKSHOPS

EQUIPMENT:

- ✓ Furniture planning module
- ✓ Automatic panel storage system
- ✓ Horizontal panel saw
- ✓ Automatic edgebander
- ✓ 5-Axis CNC machining center

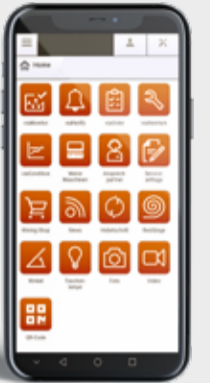
OUTPUT PER SHIFT: 300 TO 500 PIECES
(corresponding to three standard kitchens)

ADVANTAGES:

- ✓ Maximum flexibility
- ✓ High productivity
- ✓ State-of-the-are, digitized production

VIACOCKPIT HOLZ-HER MACHINE MONITORING

Productivity shown transparently on the master computer and also on your mobile device, monitor and analyze at anytime. Through the WEINIG App Suite and viaCockpit you're also able to health check and facilitate preventative maintenance.



EDGEBANDING



SECONDARY CNC
MACHINING



NESTING
WORK



INDUSTRIAL WORKSHOPS

EQUIPMENT:

- ✓ Furniture planning module and production control
- ✓ Fully automatic material handling
- ✓ Cutting and machining centers
- ✓ Automated edgebanding
- ✓ Remnant return with unstacking station
- ✓ Robot cell solution

OUTPUT PER SHIFT: CUSTOMER-SPECIFIC

ADVANTAGES:

- ✓ Customer-specific planning
- ✓ Maximum capacity utilization
- ✓ Automated processes
- ✓ Maximum possible value creation



IMPORTING CUTTING LISTS FROM WORK PREPARATION



STEP-BY-STEP INSTRUCTIONS FOR EFFECTIVE PANEL CUTTING

With the professional Opti-Base - V-Cut cutting optimisation feature from HOLZ-HER, you always get the best optimisation results for perfect material utilisation. Clearly arranged user interface and new 15.6"-touch screen for simple, quick operation and management of orders, material and parts lists. The label printer for HOLZ-HER machines, which is included in the package, ensures clear identification of parts.



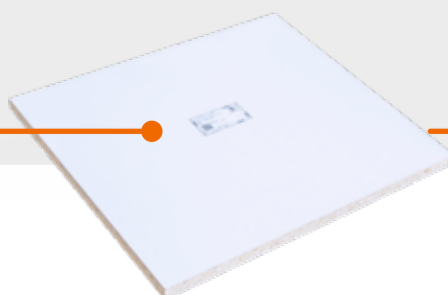
NETWORKED FOR PROCESS OPTIMISATION THE SMART WORKSHOP IN THE SMALLEST OF SPACES

Vertical panel saws can be integrated perfectly into your machine network. You have the option whether to manually complete the cutting plans in your office or import them very simply as CSV files into the Opti-Base V-Cut software. Here the remnant panels in the remnant storage integrated into the network are taken into consideration and included in the optimisation. After importing,

the software provides precise instructions on a 15.6"-touch monitor to guide you through the cutting plans. For each completely cut panel you automatically receive the associated label with all the information important for production, allowing all panel parts to be included in the production flow for further processing. This continuous data flow saves a great deal of valuable work time.



SMALL CRAFT SHOPS





GLUE APPLICATION

With Glu Jet you can process practical glue cartridges and quickly and easily change over between EVA and PUR as required. Even granulated glue can be processed by changing the glue hopper.



INTELLISET

Finally, to simplify operation, the equipment can be adjusted using intelligent, interactive graphic images. This makes sample workpieces a thing of the past.



MULTI-TOOL VERSION

The multi-stage tools and revolving tool magazine allow the Multi-tool version to offer up to four different profile variants plus 8 mm flush cutter.



iTRONIC

Your intelligent edging assistant for quick, error-free adjustment of your edgebander.

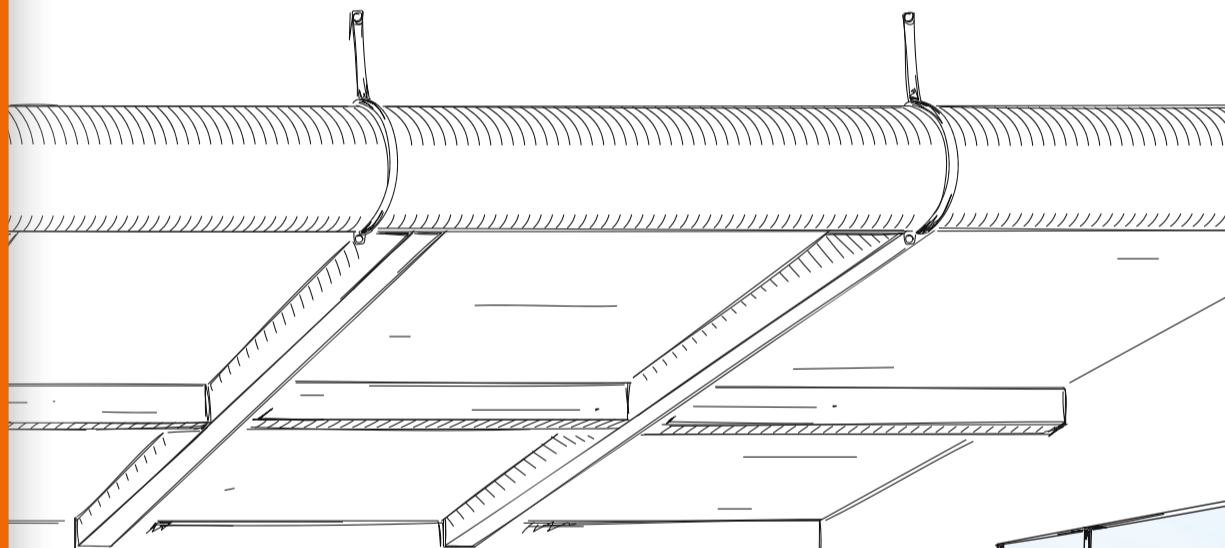
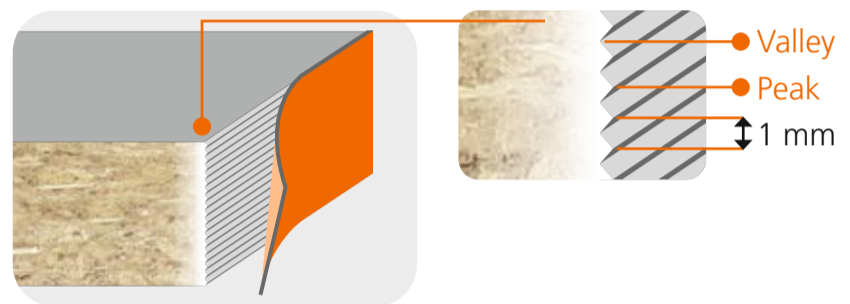


fa.s.t

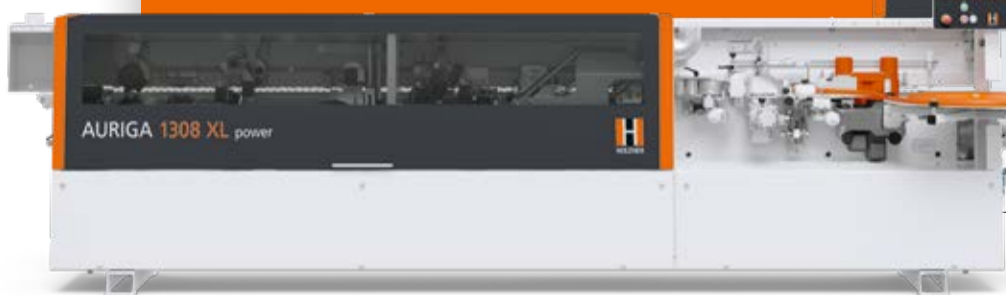
fa.s.t (set-up in the gap) enables you to run different machining processes at the same time on the edgebander. This process is extremely efficient in combination with the high speed NC servo-axes.

CLEAR EDGING INVISIBLE JOINT WITH EVERY EDGE AND ALL TYPES OF GLUE

The optimized "Glu jet" application system on all HOLZ-HER edgebanders ensures perfect edge appearance for all types of edging. The unique hybrid technology on this unit guarantees harmonious interaction between glue, edging and panel. The Glu Jet system ensures trouble-free use of EVA and PUR adhesives in the form of glue cartridges or granulate while its short heat-up time of just 3 minutes and low energy consumption for remelting the glue make it a true resource saver.



SPRINT 1329 –
Multi-Functional and Intelligent



AURIGA 1308 XLpower –
Intelligent Edgebanding



ARTEA 1030 –
The Compact Solution

OUR NEW BESTSELLER FOR EVEN GREATER PRODUCTIVITY!

VERTICAL CNC MACHINING WITH AUTOMATED DOWEL INSERTION

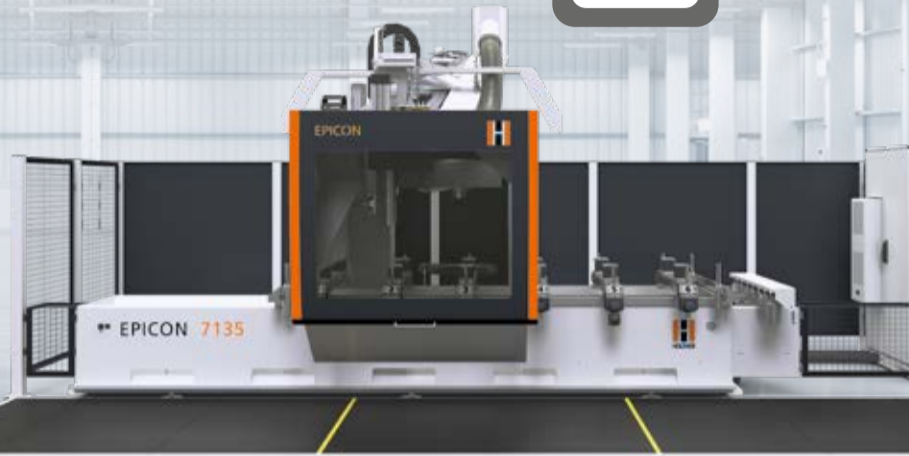


PinJet – the dowel anchor system for the EVOLUTION.
Fully automatic insertion of 8 mm wooden dowels



5-AXIS CNC MACHINING WITH THE NEW EPICON 7135

The universal genius for your shop. It is time for
the next generation in CNC Machining.



INTELLIGENT EDGEBANDING WITH THE AURIGA 1308 XL POWER

Industrial technology for small workshops – with the
HOLZ-HER Glu Jet – system, you can always process PUR glue
as standard, just as simply as EVA glue.



COMPACT CUTTING SOLUTION WITH THE LINEA 6015

Set new standards in your production. Designed for high
through-put with resource-saving space planning.



REQUEST YOUR OFFER NOW AT:
WWW.THE-NEW-HOLZHER.COM



Find your **HOLZHER** Expert across the world

www.holzher.com/expert

HOLZ-HER Headquarter

Großer Forst 4
72622 Nürtingen
Germany

Telefon +49 (0) 70 22 702-0
sales@holzher.com
www.holzher.de

/holzhervideos

/holzher.gmbh

/holzher_gmbh

CREDITS

HOLZ-HER GmbH
Großer Forst 4 • 72622 Nürtingen
Germany • Telefon +49 (0) 70 22 702-0
sales@holzher.com • www.holzher.de

Responsible for content:
Robert Terzer (General Sales Manager)

Production:
FRIENDS – Menschen, Marken, Medien
www.friends.ag

Picture credits: silvae/shutterstock, mockups
design, DifferR/AdobeStock

The technical data are guide values. We reserve
all rights to change design and features without
prior notification. Some illustrations show special
versions or equipment not included as standard
features and are not binding. For clarity, some of
the machines are shown without protective hood.

